

# The Endurance™ Bed 2.1

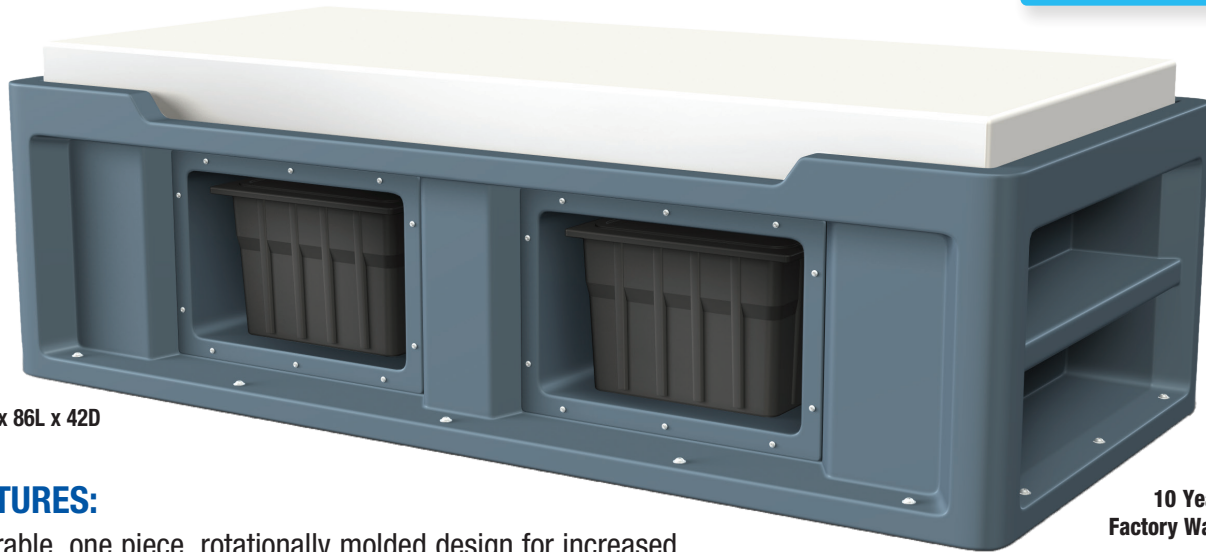
## Large Bed with Side/End Storage

Storage compartments are mechanically attached with 10 stainless steel, tamper proof screws.

FURNISHINGS & PRODUCTS  
NOW INFUSED WITH

**CoRx**

ANTIMICROBIAL COMPOUND



24H x 86L x 42D

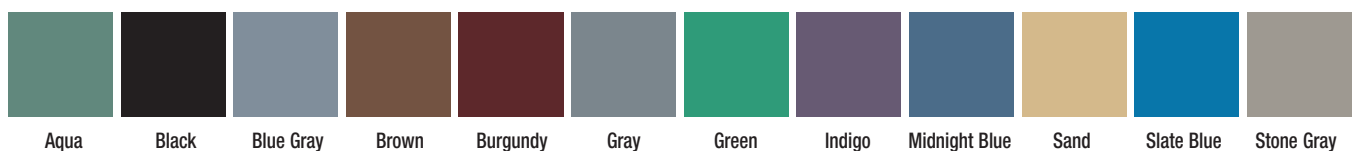
10 Year  
Factory Warranty

### FEATURES:

- Durable, one piece, rotationally molded design for increased strength. Constructed of high impact “no break” polyethylene
- Designed for use with **36” x 80”** mattress. A 6” thick mattress is recommended
- Angled lowered side rail for easier accessibility
- Molded in end shelving for open storage of personal items
- End shelf storage: 2.3 cu. ft. (2 shelves)
- Side storage: 4.0 cu. ft. (2 compartments)
- Can be bolted to the floor via concealed pilot holes with hardware of your choice. Field installed restraint rings available
- Sound dampening
- Easy to clean, sanitize & maintain
- Mattress and Barracuda Box sold separately
- Passes Flammability UL 94 HB
- Tested to ISO 22196 showing a >99% reduction in bacteria
- Flame Retardant (passes Cal 133). Test reports available upon request
- Manufactured to ISO Quality Standards in the USA 

ITEM	COLOR
7802AQ	Aqua
7802BK	Black
7802BG	Blue Gray
7802BN	Brown
7802BY	Burgundy
7802GY	Gray
7802GN	Green
7802IG	Indigo
7802MB	Midnight Blue
7802SD	Sand
7802SB	Slate Blue
7802SG	Stone Gray

Available in



Custom colors available upon request. Call Cortech for details.

#### OVERVIEW

The Endurance™ Bed 2.1 is a versatile, heavy duty, large sleep surface ideal for continuous, intensive use environments. Optional molded in side slots for property box storage and increased structural span strength. Angled lowered side rail for easier entry and exit. Molded in end shelving for open storage of personal items. **Manufactured to ISO Quality Standards in the USA.**

**Designed for use with 36" x 80" mattress.**

#### FABRICATION/MATERIAL

Durable, one piece, rotationally molded design for increased strength. Constructed of high impact polyethylene. No steel or wood components. Flame Retardant (as shown passes Cal 133). Test reports available upon request.

**COLOR** Black, Blue Gray, Brown, Burgundy, Gray, Green, Sand and Slate Blue. Custom colors available upon request.

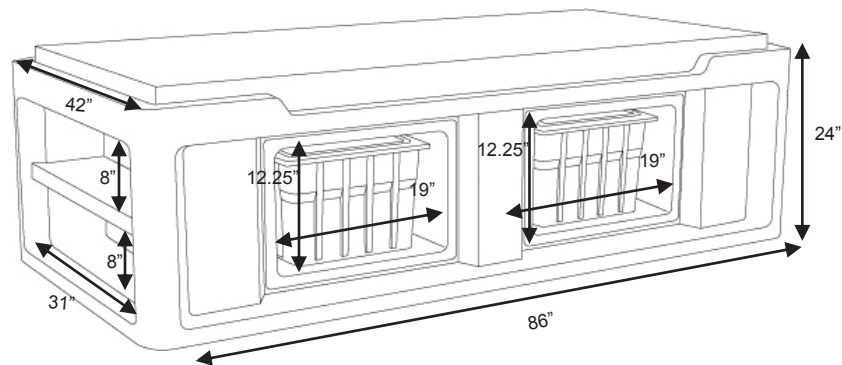
**WEIGHT** 145 lbs.

**OPTIONS** Restraint rings. Hardware bit size: T40.

**ASSEMBLY** Bolt to the floor via concealed pilot holes with hardware of your choice.

**WARRANTY** 10 Year Factory Warranty.

**MAINTENANCE** Easy to clean, sanitize & maintain.



#### TOP

